

Powerware® 9355 UPS (20/30 kVA) Seismic Kit

Installation Instructions

164201643 Rev A

Seismic Kit Contents

Description	Quantity
Side Angle Bracket	2
Left-Hand Gusset	1
Right-Hand Gusset	1
M8 × 20 Hex-Head Bolts	10

To install the seismic kit:

1. Install the UPS according to the instructions in the *Powerware 9355 UPS (20/30 kVA) Installation and Operation Manual*.
2. Lower the leveling feet to prevent the cabinet from rolling (see Figure 1).
3. Attach the front and rear shipping brackets to the cabinet using the retained hardware from the shipping pallet (see Figure 2).
4. From the cabinet rear panel, remove the two lower M5 cover screws on each side (see Figure 2). Retain the screws.
5. Insert the side angle bracket behind the base as shown in Figure 2. Insert three supplied M8 bolts, but do not fully tighten.
Repeat for the other side.
6. Install the gusset on the side of the cabinet using the two lower M5 cover screws and two supplied M8 bolts (see Figure 3).
Repeat for the other side.
7. Tighten all bolts.
8. Install customer-provided floor bolts in the holes in the bottom of the brackets to attach the cabinet to the flooring.

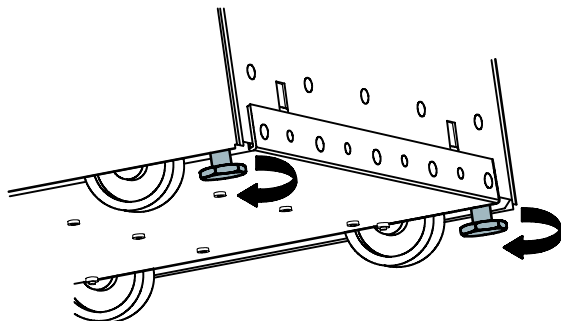


Figure 1. Lowering the Leveling Feet

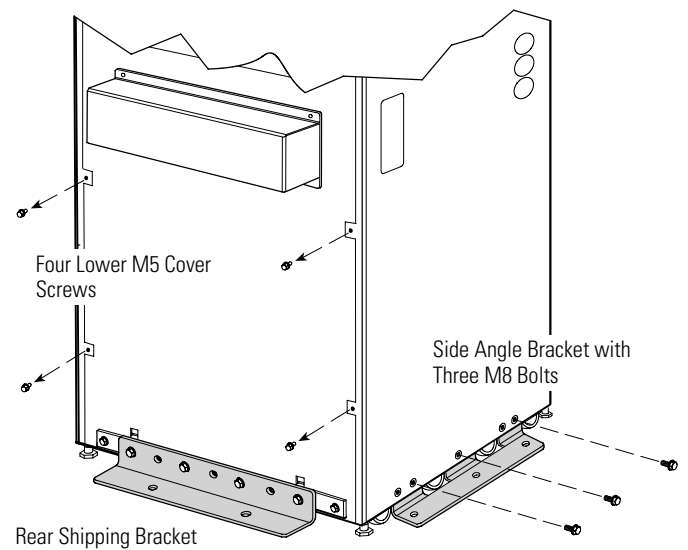


Figure 2. Installing the Brackets

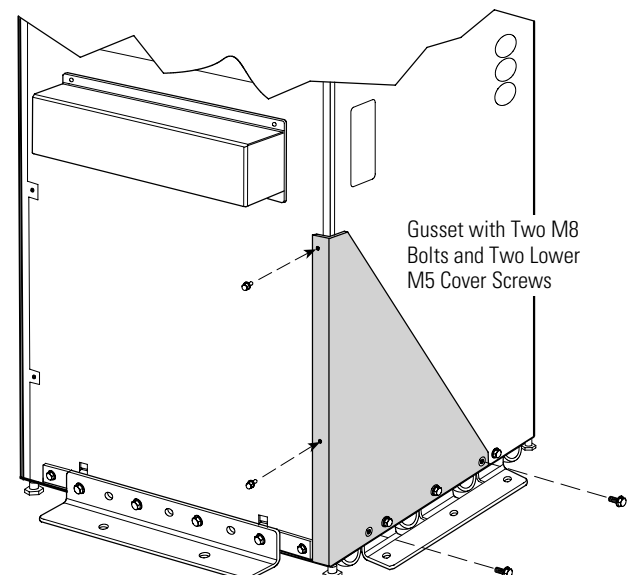


Figure 3. Installing the Gusset