

EAT•N

Powerware

**Powerware® 9155 UPS
Seismic Kit
Installation Instructions**

Powerware is a registered trademark of Eaton Electrical Inc.

©Copyright 2005–2006 Eaton Corporation, Raleigh, NC, USA. All rights reserved. No part of this document may be reproduced in any way without the express written approval of Eaton Corporation.



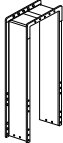



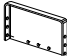
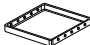



Seismic Kit Installation

The Powerware® 9155 seismic kit is rated for Zone 4 seismic installations and is available for 2-high and 3-high cabinets.



NOTE DO NOT substitute any hardware. All supplied hardware is rated for Zone 4 seismic installations.

NOTE Twelve floor anchors must be supplied by the customer.

Hardware	Seismic Kit Parts		Tightening Torque
	2-High	3-High	
 M10 hex bolts, stop nuts, and washers for seismic leveling feet	4	4	68 Nm (50 lb ft)
 Base brackets	2	2	-
 Hold-down brackets	2	2	-
 Extension brackets	-	4	-
 Base supports	4	4	-
 Shims	4	Not used	-
 Support brackets	2	4	-
 Top support bracket	1	1	-
 M6 × 20 mm self-locking hex bolts	34	70	14 Nm (10.3 lb ft)
 M8 × 20 mm self-locking hex bolts	18	18	35 Nm (25.8 lb ft)
 3/8" × 1" self-locking hex bolts	12	12	61 Nm (45 lb ft)

**CAUTION**

A minimum of two people are required to safely tilt and block the cabinet. DO NOT tilt the cabinet more than 10° from vertical.



NOTE If you have an optional Maintenance Bypass Module (MBM) or Power Distribution Module (PDM), attach it to the UPS before installing the seismic kit.

The following tools are required for installation:

- M8 socket driver
- M6 socket driver
- M10 socket driver

To install the seismic kit:

1. Using the appropriate 2-high or 3-high cabinet template, drill holes (for six 3/8" × 1" bolts on each side) into the concrete floor.
2. Install twelve floor anchors (customer-supplied).
3. Move the cabinet into its final position.
4. Tilt and block the UPS to access the leveling feet on one side (see Figure 1).
5. Replace the two leveling feet with an M10 hex bolt, stop nut, and washer. Do not tighten. Discard the original leveling feet.

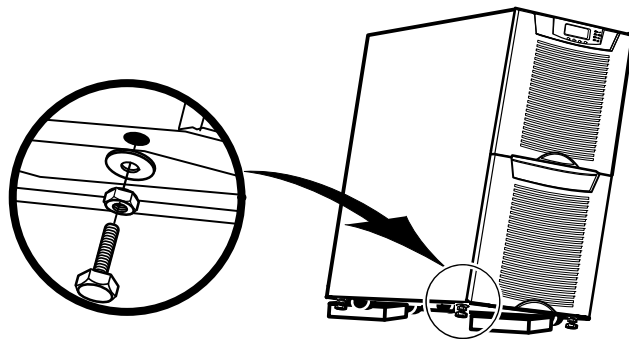


Figure 1. Replacing the Leveling Feet

6. Slide the base bracket onto the seismic leveling feet above the washer (see Figure 2).

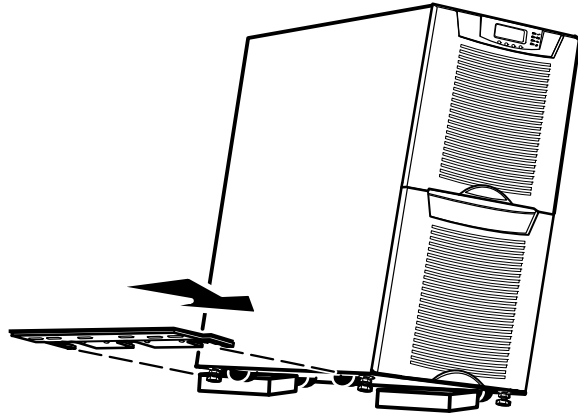


Figure 2. Installing the Base Bracket

7. Remove the blocks from underneath the cabinet.
8. Tighten the seismic leveling feet nuts to secure the base bracket.
9. Repeat Steps 4 through 8 for the other side.

10. Adjust the seismic leveling feet so the cabinet rests firmly on the floor.
11. Place both hold-down brackets across the top of the cabinet (see Figure 3).

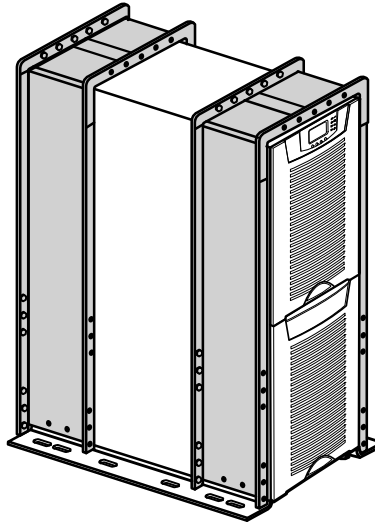


Figure 3. Hold-Down Brackets

- 12. For 3-high cabinets only.** Using six M6 bolts for each extension bracket, install four extensions to the hold-down brackets (see Figure 4). Tighten the bolts.

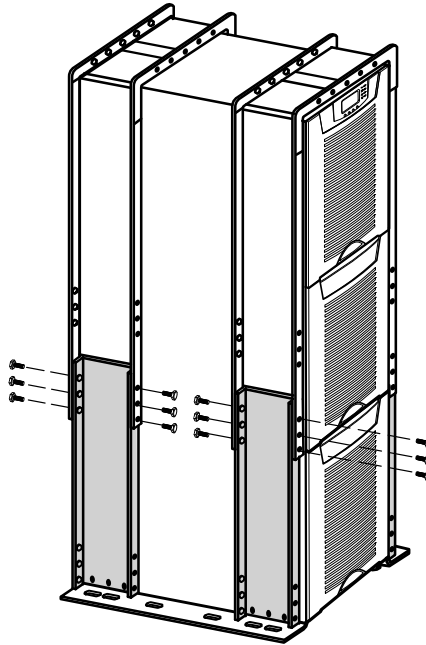


Figure 4. Installing Extension Brackets (3-High Only)

13. Place the base supports inside the rails of the two hold-down brackets (see Figure 5). Repeat for the other side.

For 2-high cabinets only. Install a shim to the inside outer edge of each hold-down bracket.

14. Loosely secure the outside edges of the base supports using three M6 bolts. Do not tighten the bolts.

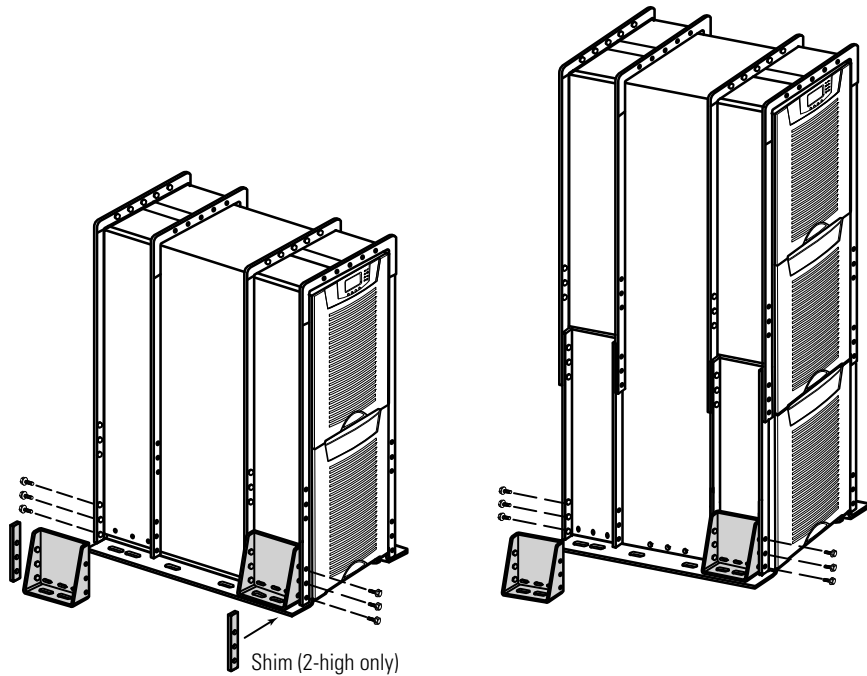


Figure 5. Installing Base Supports

15. Install support brackets on each side using six M6 bolts (see Figure 6 for 2-high cabinets or Figure 7 for 3-high cabinets). Do not tighten the bolts.

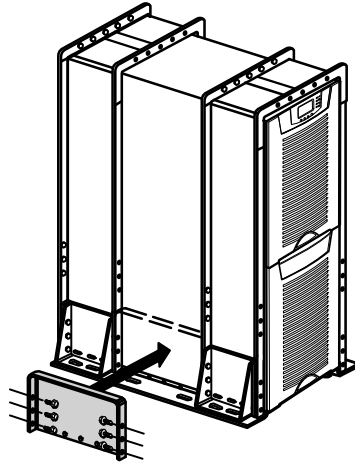


Figure 6. Installing Support Brackets (2-High)

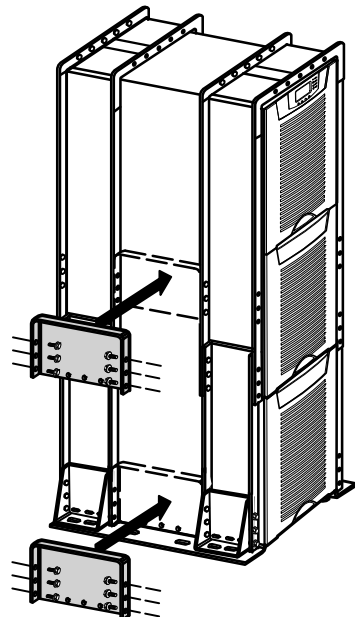


Figure 7. Installing Support Brackets (3-High)

16. Install the top support bracket using ten M6 bolts. Tighten the bolts.

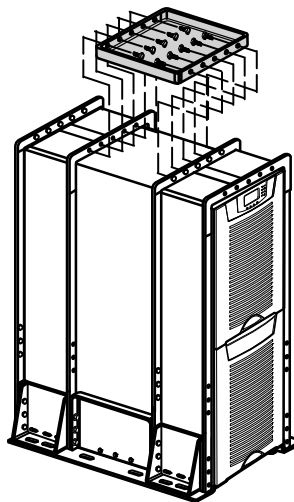


Figure 8. Installing the Top Support Bracket

17. Tighten the M6 bolts for the base supports and support brackets (installed in Steps 14 and 15).
18. Install nine M8 bolts to each side of the base (see Figure 9). Tighten the bolts.

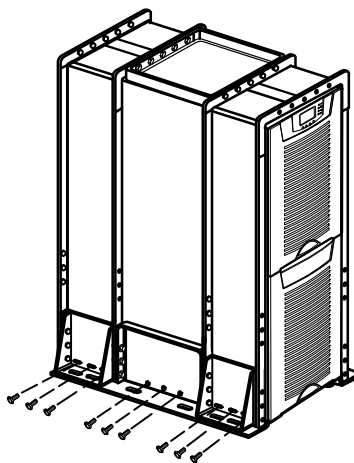


Figure 9. Securing the Base

19. Bolt the seismic kit to the floor using six $\frac{3}{8}$ " \times 1" hex bolts on each side.

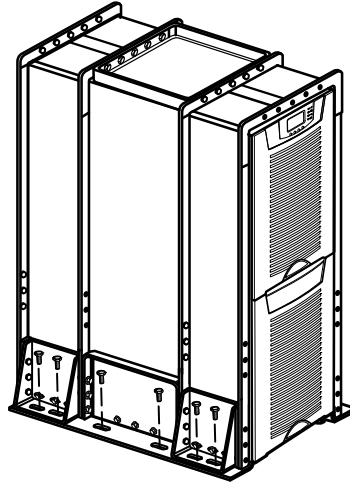


Figure 10. Bolting the Seismic Kit to the Floor

Service and Support

If you have any questions or problems with the UPS, call your **Local Distributor** or the **Help Desk** at one of the following telephone numbers and ask for a UPS technical representative.

United States: 1-800-843-9433 or 1-919-870-3028

Canada: 1-800-461-9166 ext 260

All other countries: Call your local service representative

Please have the following information ready when you call for service:

- Model number
- Serial number
- Firmware version number
- Date of failure or problem
- Symptoms of failure or problem
- Customer return address and contact information



164201588 B